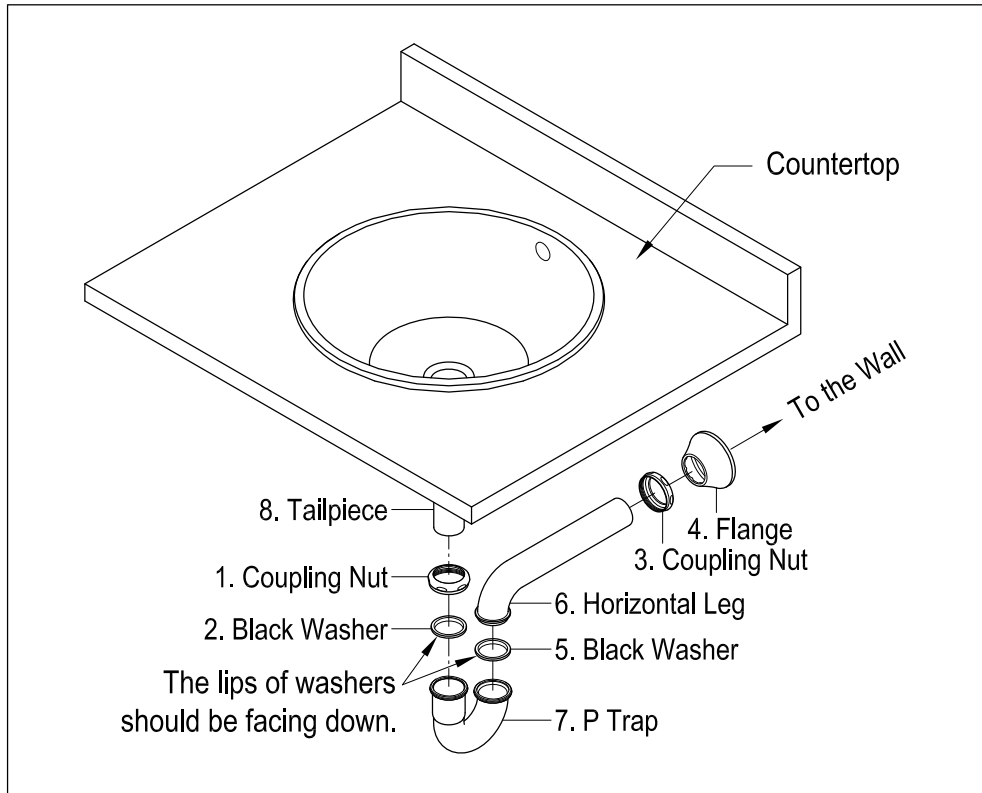
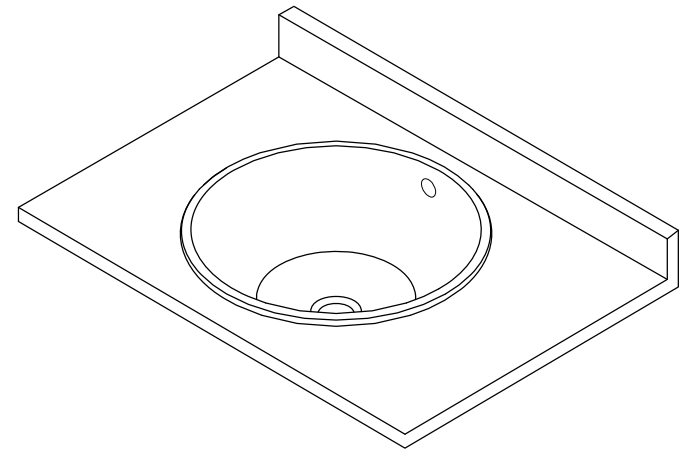


## P-Trap Installation:



1. Insert horizontal leg (6) into wall drain stub-out.
2. Remove coupling nut (1) and black washer (2) from the P-trap (7).
3. Insert coupling nut (1) and black washer (2) onto the tailpiece (8), make sure the lip of washer is facing down.
4. Attach P-trap to the tailpiece (8). Slowly and carefully move the black washer (2) down to touch the inlet of P-trap (7) by hand. Then tighten up the coupling nut (1).
5. Align P-trap (7) with horizontal leg (6) and tailpiece (8), at this point it may be necessary to cut part of tailpiece (8) or part of horizontal leg (6) to obtain proper alignment.
6. Check if all components are properly tightened.
7. Run water. If leaks appears and tightening doesn't correct it, loosen coupling nuts (1) or (3), check black washers (2) and (5) are properly installed. Retighten coupling nuts (1) or (3).

# FAUCETURE



## **CAUTION**

Failure to follow all installation directions may cause product to detach from the wall and cause serious injury

## **NOTICE**

Failure to follow all directions may cause leaks which may result in water damage

www.kingstonbrass.com  
TOLL-FREE CUSTOMER SERVICE: 1-877-2-KBRASS  
TECHNICAL SUPPORT E-mail: [service@kingstonbrass.com](mailto:service@kingstonbrass.com)  
12775 Reservoir Street, Chino, CA 91710



## **WARNING**

### **Lifting hazard.**

Single person lift could cause injury.  
Use assistance when moving or lifting.

# FAUCETURE

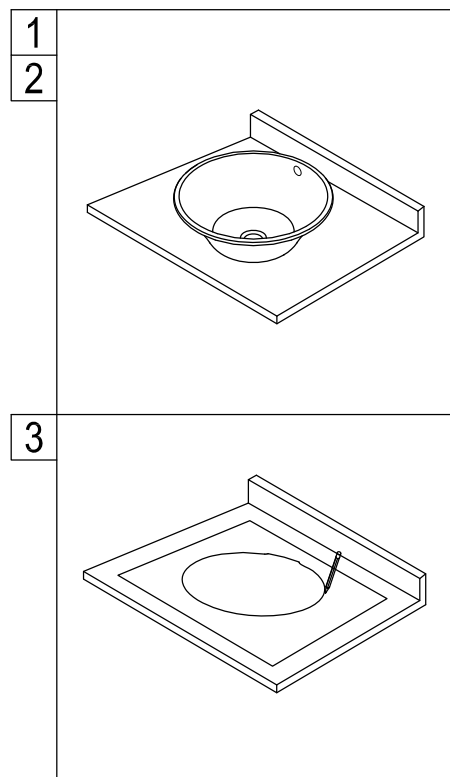
## INSTALLATION INSTRUCTIONS

### Drop In Basin

#### Before Installation :

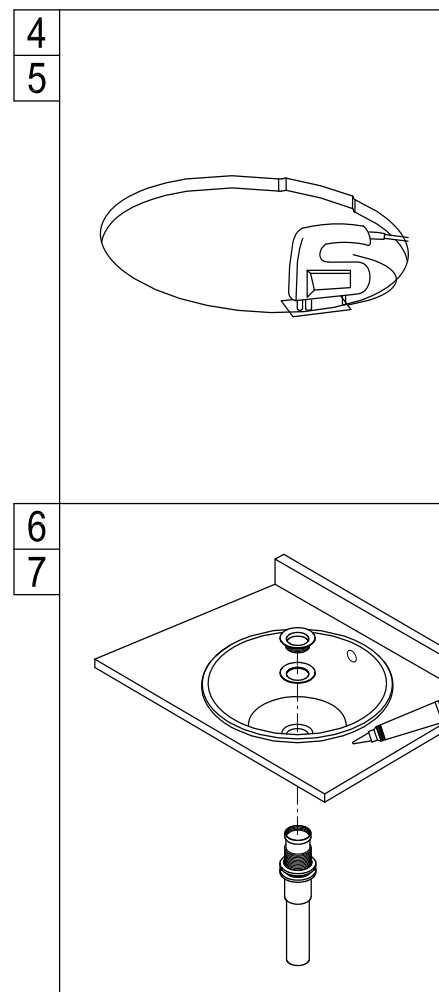
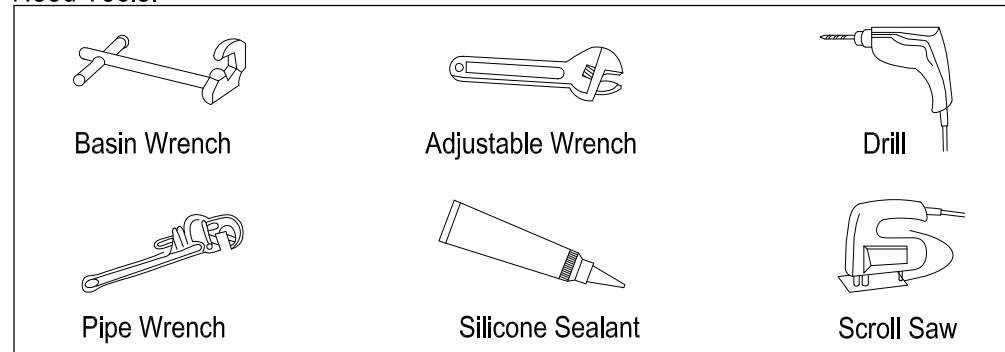
1. Prior the installation, unpack your new Kingston Brass product and inspect it keep the product in its original package until you are ready to install it.
2. Shut the water supply off when replacing an existing fixture. Preparation of the floors and walls, including all additional wall supports, maybe required.
3. Observe all local plumbing and building codes.
4. Do not install this fixture alone.
5. Make sure to select appropriate drain as some of Kingston Brass vessel sinks do not include overflow hole.

#### Installation Step :



1. Place vessel sink on top of counter where it will be installed.
2. If your vessel sink does not include the faucet hole, then make sure to allow sufficient space for faucet installation.
3. Determine where you would like to install the sink on the countertop, and then place the provided template on the countertop.

#### Need Tools:



4. After you've placed the template in the desired location. Trace the template so you have a line to cut when you remove the template. Be sure to check under the cabinet to ensure that you have enough clearance for the drain assembly and plumbing that will be needed.
5. Drill a pilot hole. Double check all measurements before continuing cutting to ensure proper fit. Cut along the traced line using a jigsaw or any other appropriate tools.
6. After cutting is complete, sand the sides of the hole to ensure they are smooth. Apply silicone sealant to the edge of the cutout hole. Properly align the sink and slowly lower the sink until it rests on the counter top. You can connect the drain assembly and the rest of the plumbing at this point.
7. Insert the drain as show on picture, tighten the drain nut from under the counter and making sure not to over tighten as this may cause cracks in your vessel sink.