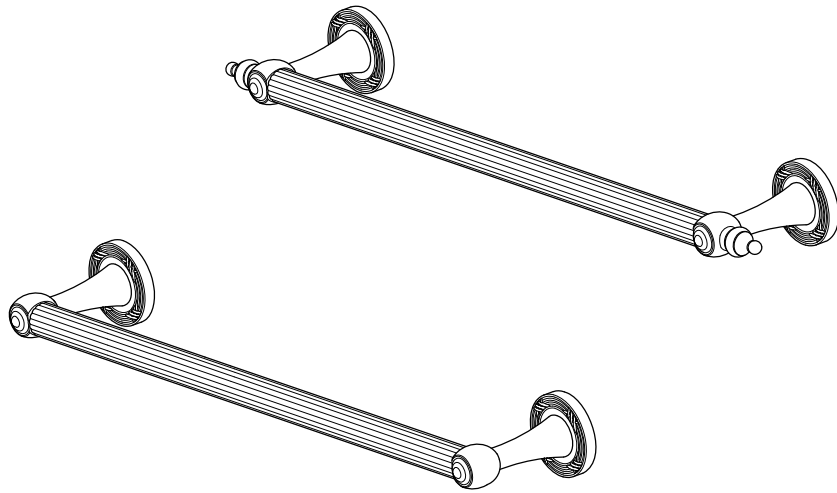


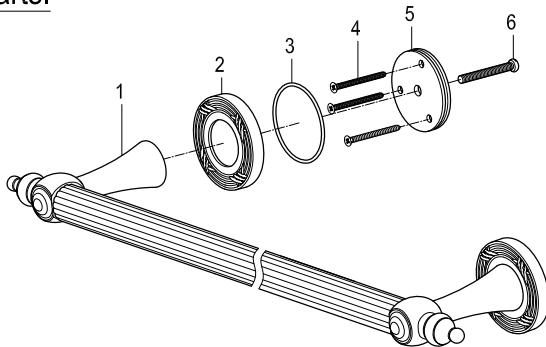
KINGSTON

KITCHEN & BATH

Decorative Grade Grab Bar Installation



Parts:



Parts Information:

- 1) Grab Bar: 1 Pc
- 2) Decorative Flange: 2 Pcs
- 3) Mounting Plate O-Ring: 2 Pcs
- 4) Mounting Screw: 6 Pcs
- 5) Mounting Plate: 2 Pcs
- 6) Bolt: 2 Pcs

CAUTION

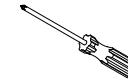
Failure to follow all installation directions may cause product to detach from the wall and cause serious injury

www.kingstonbrass.com
TOLL-FREE CUSTOMER SERVICE: 1-877-2-KBRASS
TECHNICAL SUPPORT E-mail: service@kingstonbrass.com
12775 Reservoir Street, Chino, CA 91710

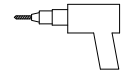
TOOLS REQUIRED



Marking Pencil



Phillips Screwdriver



Power Drill

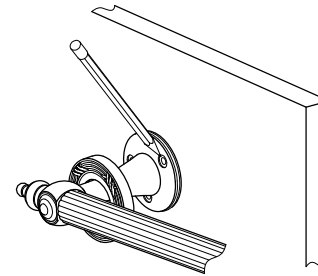


Fig. 1

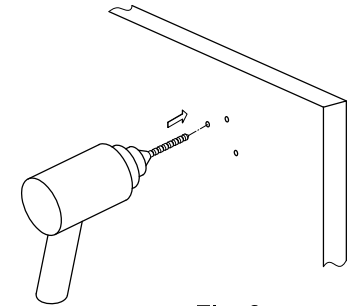


Fig. 2

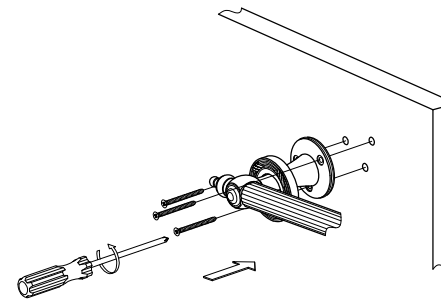


Fig. 3

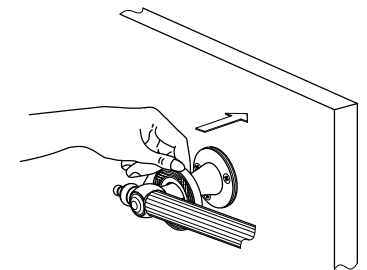


Fig. 4

Installation Steps:

1. Locate position on the wall and mark location of the holes.
2. Drill Starter holes (5/64").
3. Mount grab bar to the wall using 2" screws (Enclosed).

This grab bar is designed to be installed on wood bracing, if a proper wood bracing is not available consult your contractor as to the best anchors to use for your specific application some options available are Tile/ masonry anchors, toggle bolts, plastic anchors, metal anchors and drywall anchors.

Cleaning

Clean with a damp cloth only.
Avoid using metal or abrasive polishes.