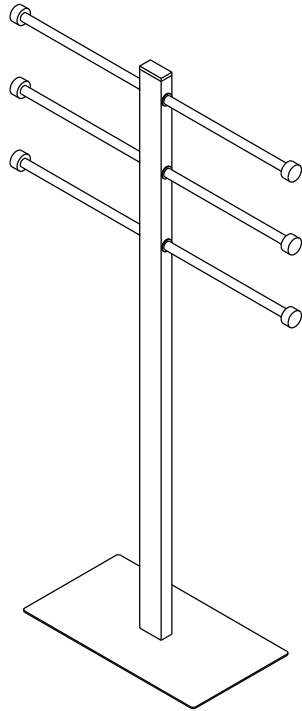
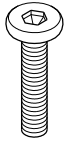
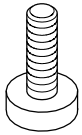


Freestanding Towel Holder Installation

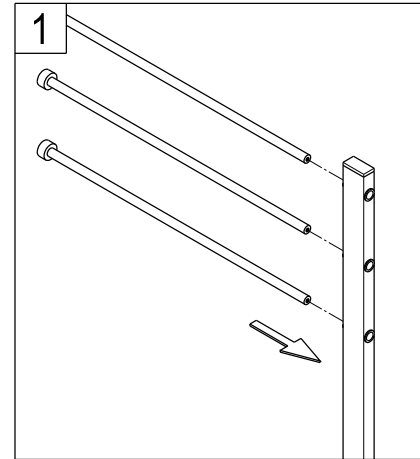


Parts:

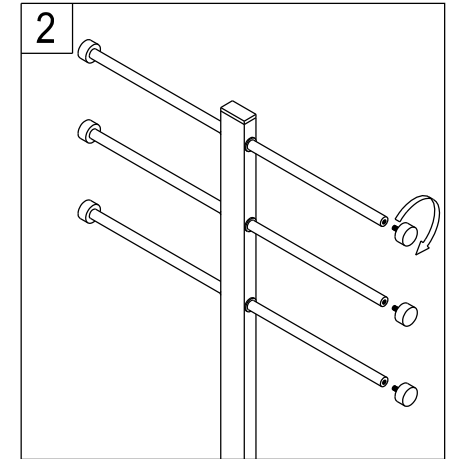
| Bolt | Sift Head |
|---|---|
|  |  |
| 2 Pcs | 3 Pcs |

www.kingstonbrass.com
TOLL-FREE CUSTOMER SERVICE: 1-877-2-KBRASS
TECHNICAL SUPPORT E-mail: service@kingstonbrass.com
12775 Reservoir Street, Chino, CA91710

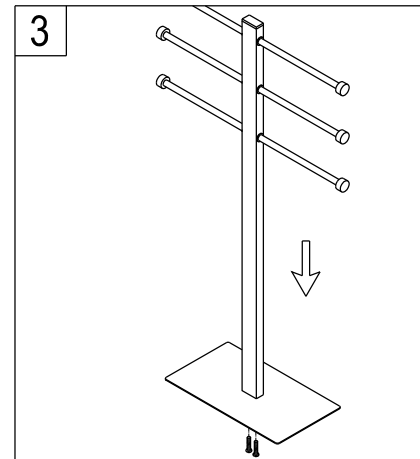
TOOLS REQUIRED



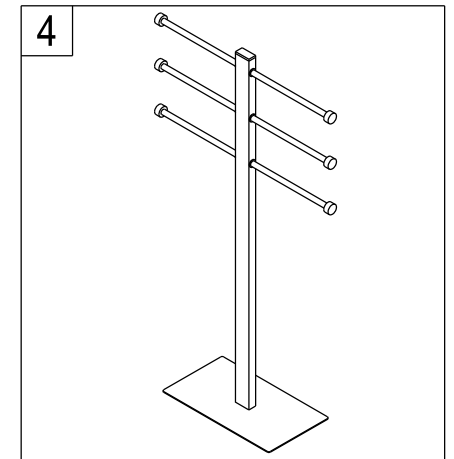
1. Insert the side bar into the tube and position at the desired location.



2. Secure the sift head onto the other end of the slide bar tightly in a clockwise direction.



3. Install towel holder assembly onto the base and secure the bolt tightening with the allen wrench.



4. Check that all bolts are tight and secure on your completed towel holder.

Cleaning

Clean with a damp cloth only.
Avoid using metal or abrasive polishes.