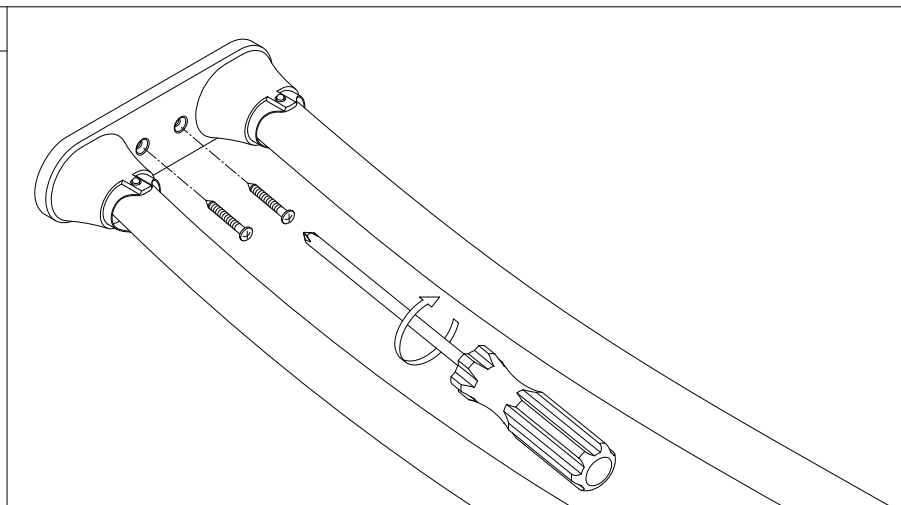
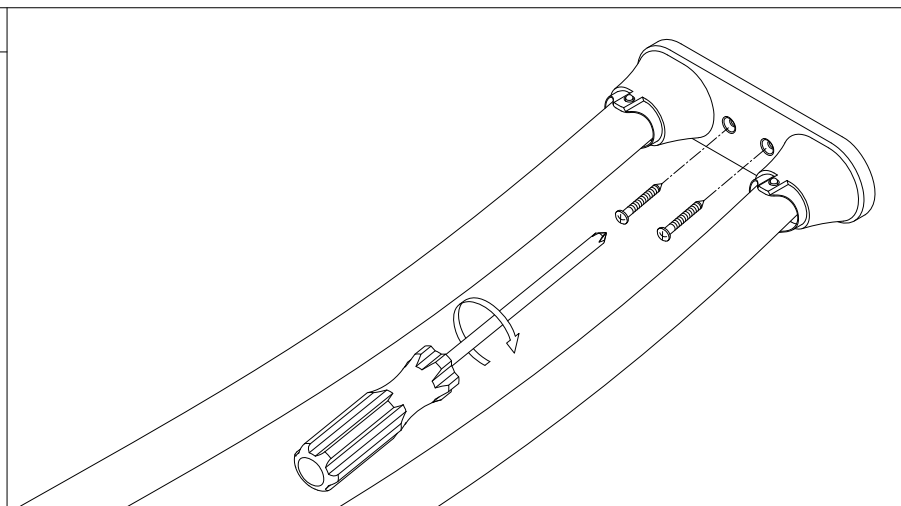


4



4. Place the shower rod on the mounting location and insert screws through first mounting post into anchors. Tighten screws with screwdriver.

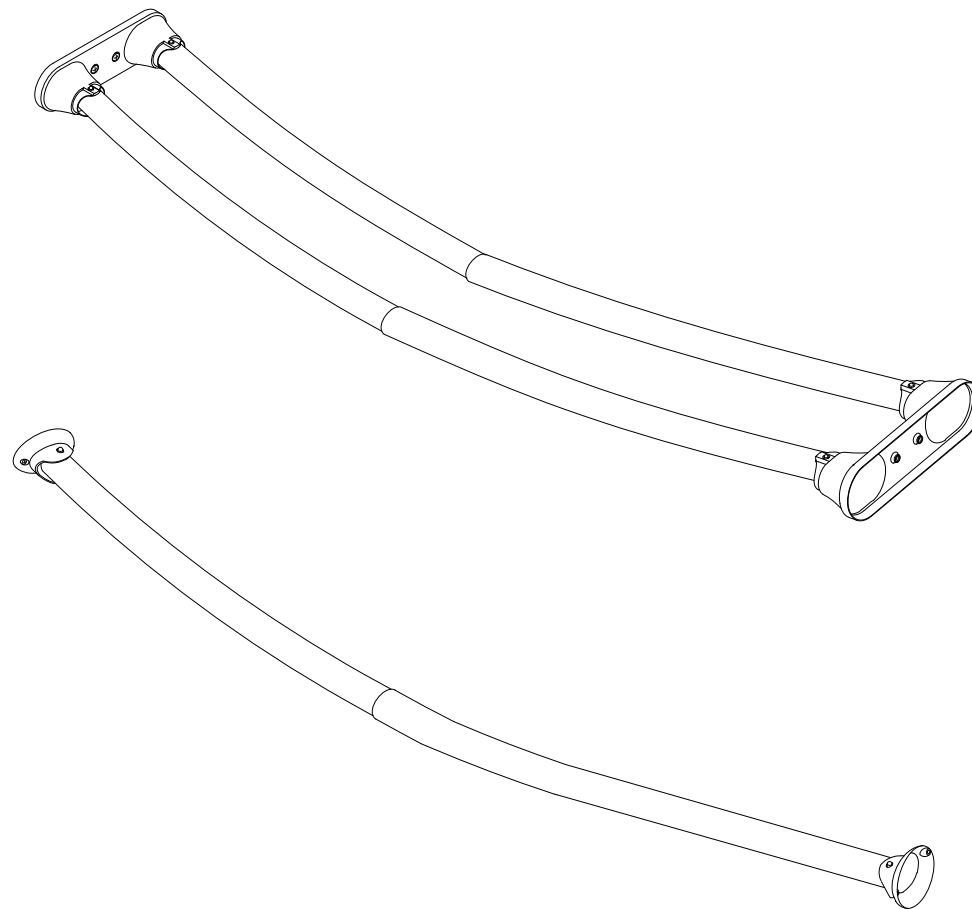
5



5. Expand the shower rod and install on opposite end. Repeat steps 1 through 4 with the other side.

KINGSTON

KITCHEN & BATH



www.kingstonbrass.com
TOLL-FREE CUSTOMER SERVICE: 1-877-2-KBRASS
TECHNICAL SUPPORT E-mail: service@kingstonbrass.com
12775 Reservoir Street, Chino, CA 91710



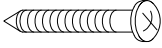
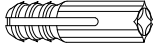
KINGSTON

KITCHEN & BATH

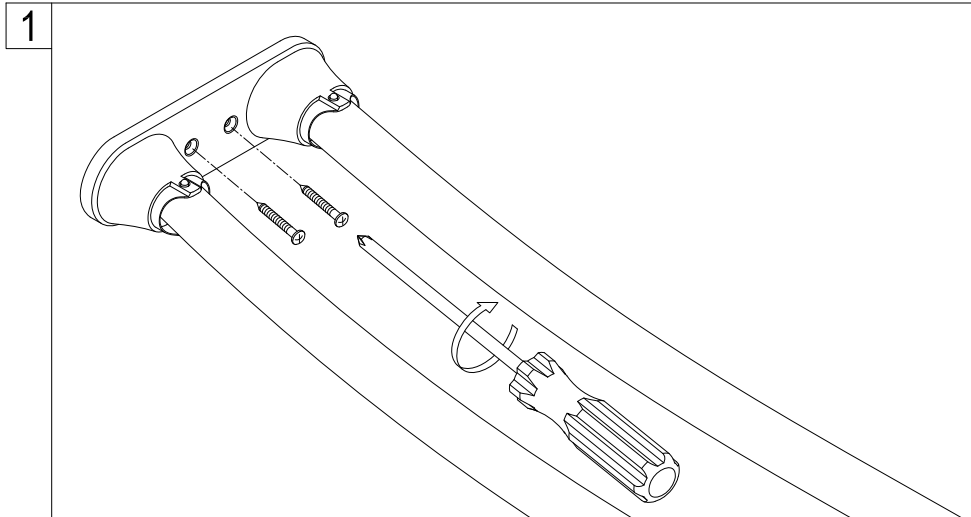
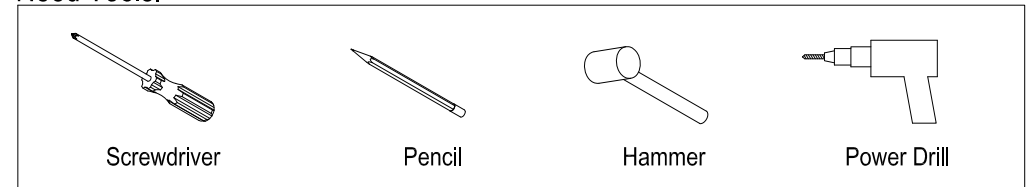
INSTALLATION INSTRUCTIONS

Adjustable Shower Rod

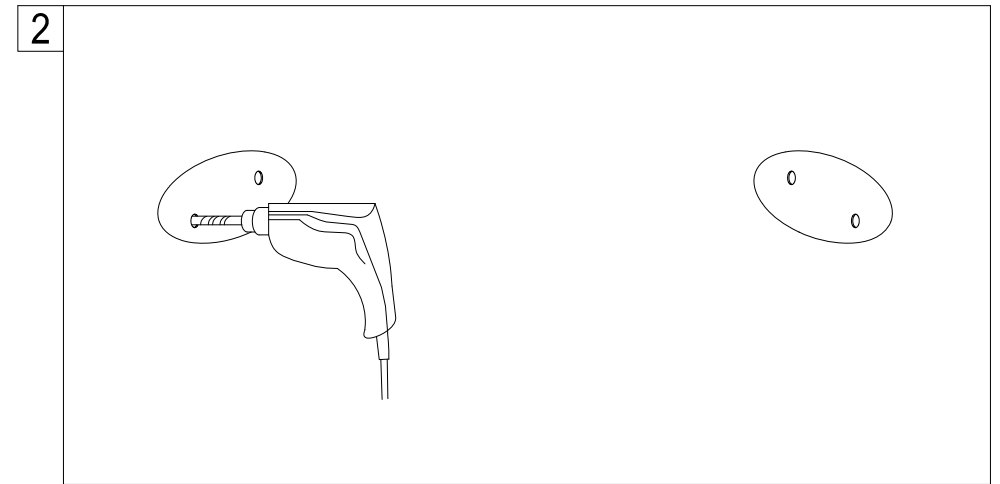
Parts:

Single Shower Rod		1 Pc
Double Shower Rods		2 Pcs
Screw		4 Pcs
Anchor		4 Pcs

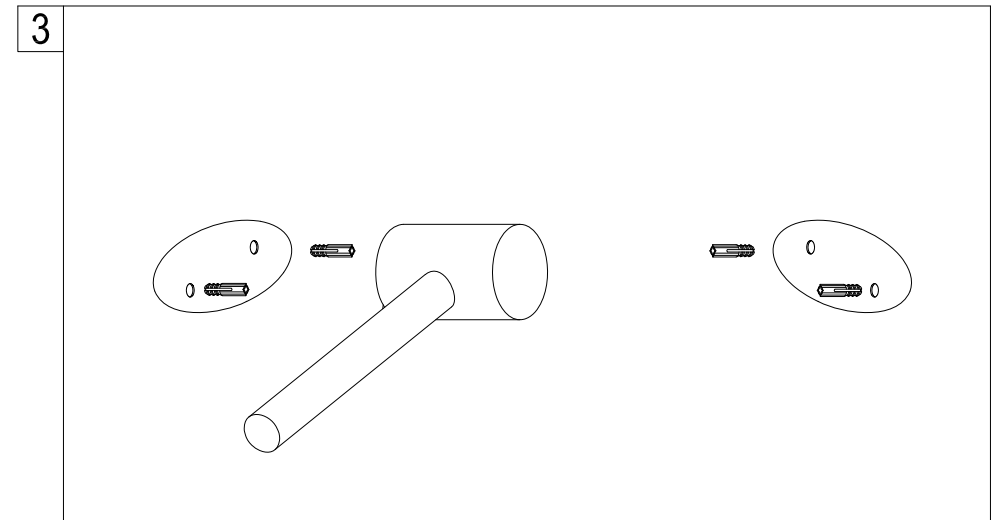
Need Tools:



1. Locate where you would like to install the curved shower rod. Place a base onto the wall and trace around it with a pencil.



2. Place the mounting plate in the center of the pencil outline you just made and mark the location of the mounting screws. Drill holes at the marked locations.



3. Insert anchors into the holes with a hammer until flush with the wall.