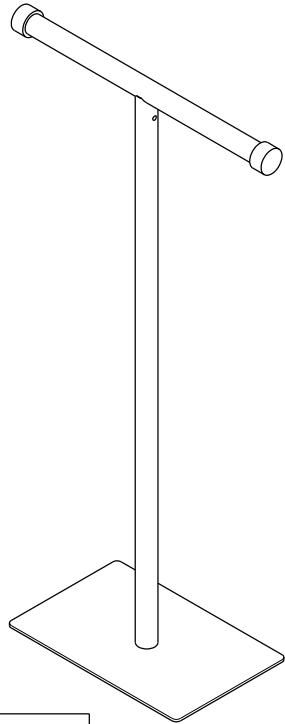
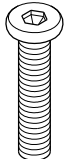
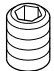
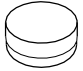


# T-Shape Toilet Roll Holder Installation

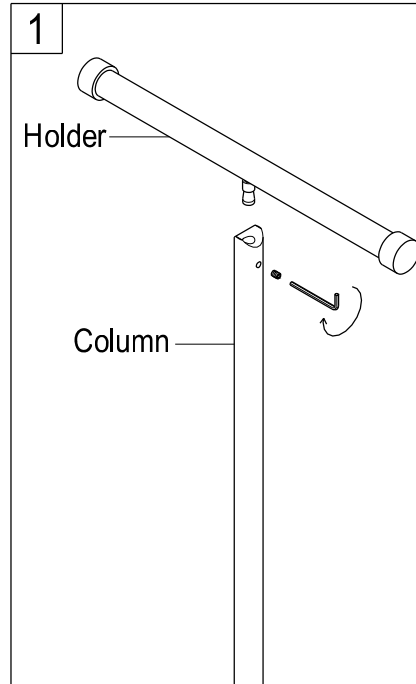


**Parts:**

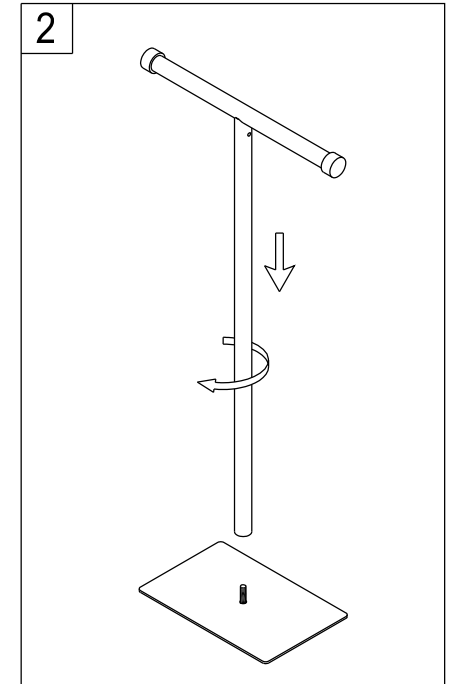
Bolt	Set Screw	Gasket
		
1 Pc	1 Pc	4 Pcs

www.kingstonbrass.com  
TOLL-FREE CUSTOMER SERVICE: 1-877-2-KBRASS  
TECHNICAL SUPPORT E-mail: service@kingstonbrass.com  
12775 Reservoir Street, Chino, CA91710

**TOOLS REQUIRED**



1. Install paper holder into the column, attach it securely by tightening the set screw with an allen wrench.



2. Place the base assembly on a level spot on the ground. Thread the free end onto the base assembly tightly in a clockwise direction.

**Cleaning**

Clean with a damp cloth only.  
Avoid using metal or abrasive polishes.