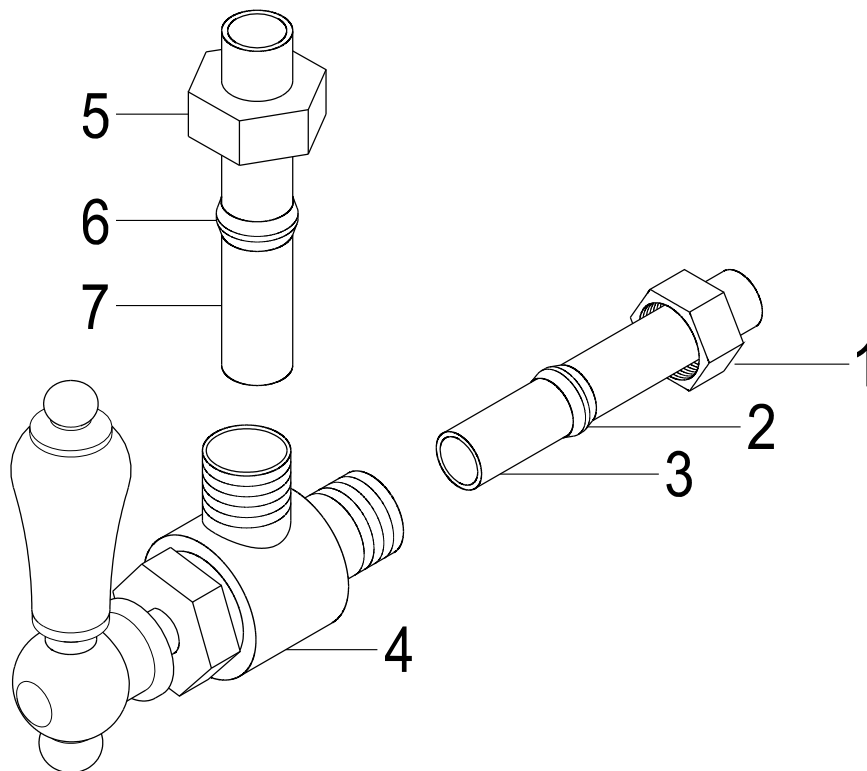


Installation Instructions For Use With KB's Angle Stop

Instructions:

1. Place nut (1) and ring (2) onto pipe (3).
2. Insert pipe (3) into valve (4).
Hand tighten nut (1) onto valve.
3. Place nut (5) and ring (6) onto tube (7).
4. Insert tube (7) into valve (4).
Wrench tighten all nuts.



www.kingstonbrass.com

TOLL-FREE CUSTOMER SERVICE: 1-877-2-KBRASS

TECHNICAL SUPPORT E-mail: service@kingstonbrass.com

12775 Reservoir Street, Chino, CA91710