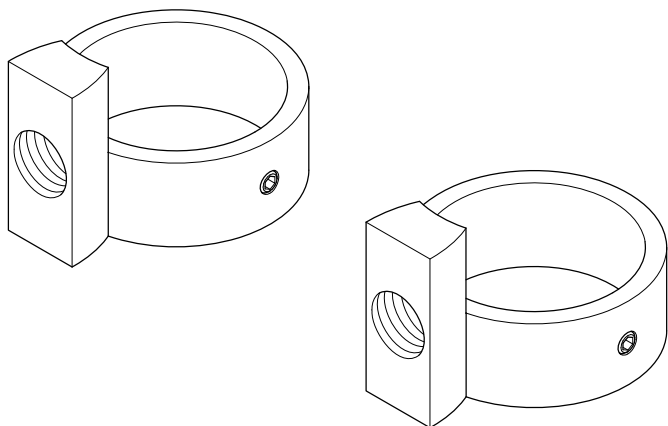


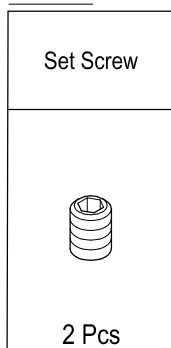
# KINGSTON

KITCHEN & BATH

## Drain Bracelets Installation



### Parts:



www.kingstonbrass.com  
TOLL-FREE CUSTOMER SERVICE: 1-877-2-KBRASS  
TECHNICAL SUPPORT E-mail: service@kingstonbrass.com  
12775 Reservoir Street, Chino, CA 91710

### TOOLS REQUIRED



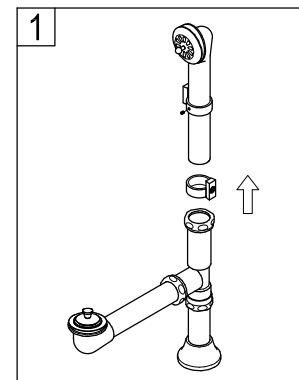
Adjustable Wrench



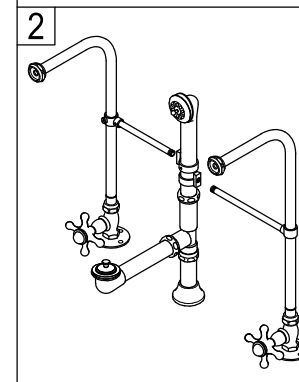
Allen wrench

These drain bracelets are designed to assist you in securing your freestanding supply lines when the distance to the wall is greater than the reach of the wall bracket rod.

### Installation Steps:



1. Insert drain bracelets into the overflow tube.



2. Thread support rod onto drain bracelet, measure distance to supply line and cut accordingly, insert into support ring installed on supply line and secure by tightening set screws, be careful not to over tighten set screw securing the ring to the supply line as it may dent or puncture the supply line.

### Warning!!!

Reshaping, bending or altering supply line except for cutting to size Or use of nuts or washers not supplied with this kit will void your warranty.

Supply lines are designed to be braced to the wall or the overflow tube, Failure to secure properly will void the warranty.

Please do not pull or lean on the faucet once it has been installed, this may bend or pull the supply line which may cause a leak resulting in possible water damage.

### Installer:

Please pass this label on to homeowner after installation.