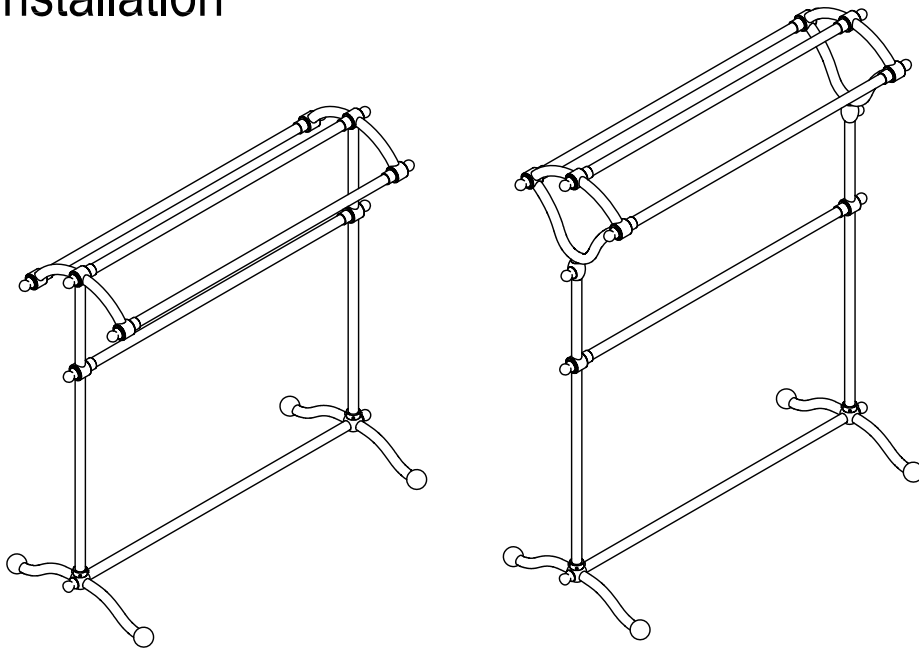


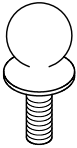
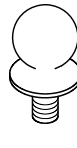
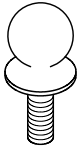
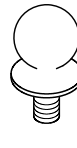
KINGSTON BRASS

THE TRADITION OF FINE BRASS

Towel Rack Installation



Parts:

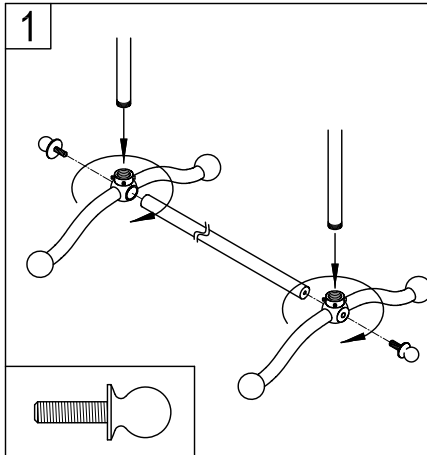
CC2281 Screw		CC2291 Screw	
			
2 Pcs	4 Pcs	2 Pcs	2 Pcs

www.kingstonbrass.com
 TOLL-FREE CUSTOMER SERVICE: 1-877-2-KBRASS
 TECHNICAL SUPPORT E-mail: service@kingstonbrass.com
 12775 Reservoir Street, Chino, CA 91710

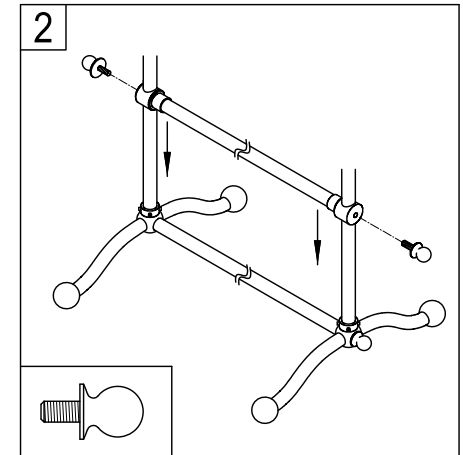
TOOLS REQUIRED



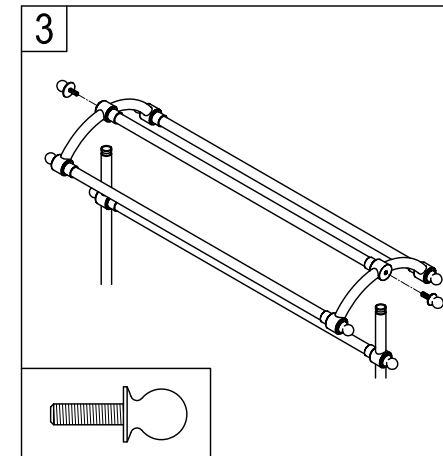
Allen Wrench



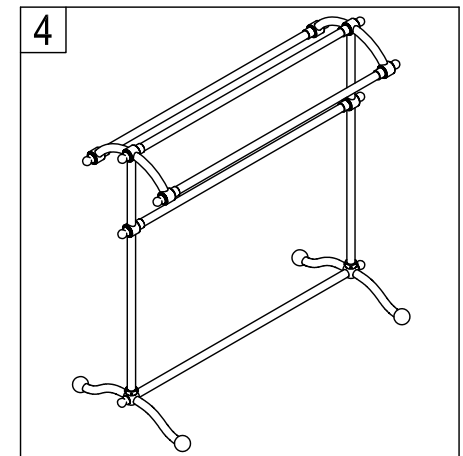
1. Screw in 29" vertical side bars into foot and bolt in bottom bar between assembly.



2. Slide middle bar down vertical side bars and tighten bolts at desired level.



3. Bolt in top rack assembly to bottom assembly.



4. Check all bolts are tight and secure on your completed towel rack.

Cleaning

Clean with a damp cloth only.
 Avoid using metal or abrasive polishes.