

# KINGSTON

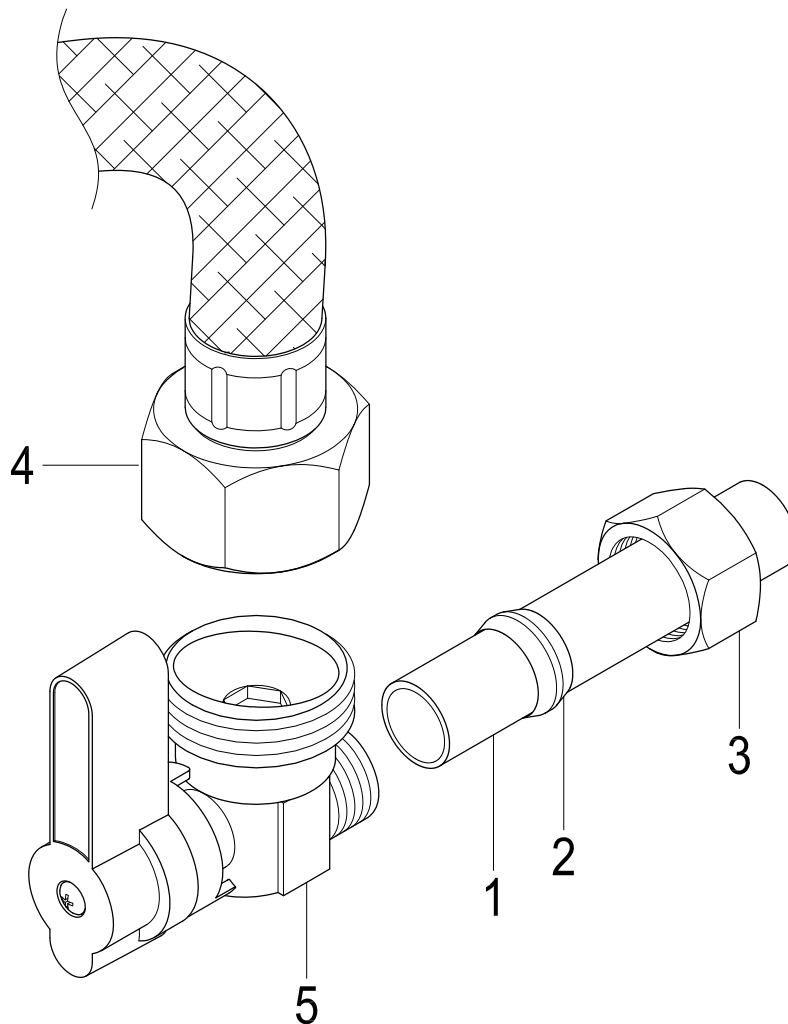
KITCHEN & BATH

## INSTALLATION INSTRUCTIONS

### Angle Stop

#### Instructions:

1. Place nut (3) and ring (2) on tube (1).
2. Insert tube (1) into valve.
3. Wrench tighten nut (3) onto valve.
4. Connect hose (4) to the valve body (5).
5. Stop any leaks by tightening nuts slightly.



### NOTICE

Failure to follow all directions may cause leaks  
which may result in water damage

[www.kingstonbrass.com](http://www.kingstonbrass.com)  
TOLL-FREE CUSTOMER SERVICE: 1-877-2-KBRASS  
TECHNICAL SUPPORT E-mail: [service@kingstonbrass.com](mailto:service@kingstonbrass.com)  
12775 Reservoir Street, Chino, CA 91710